

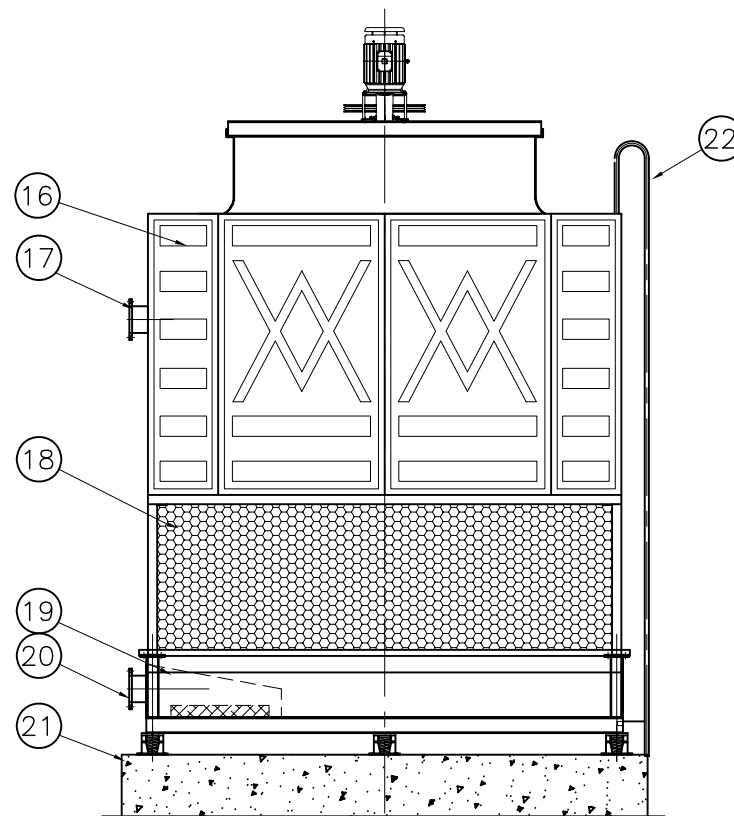
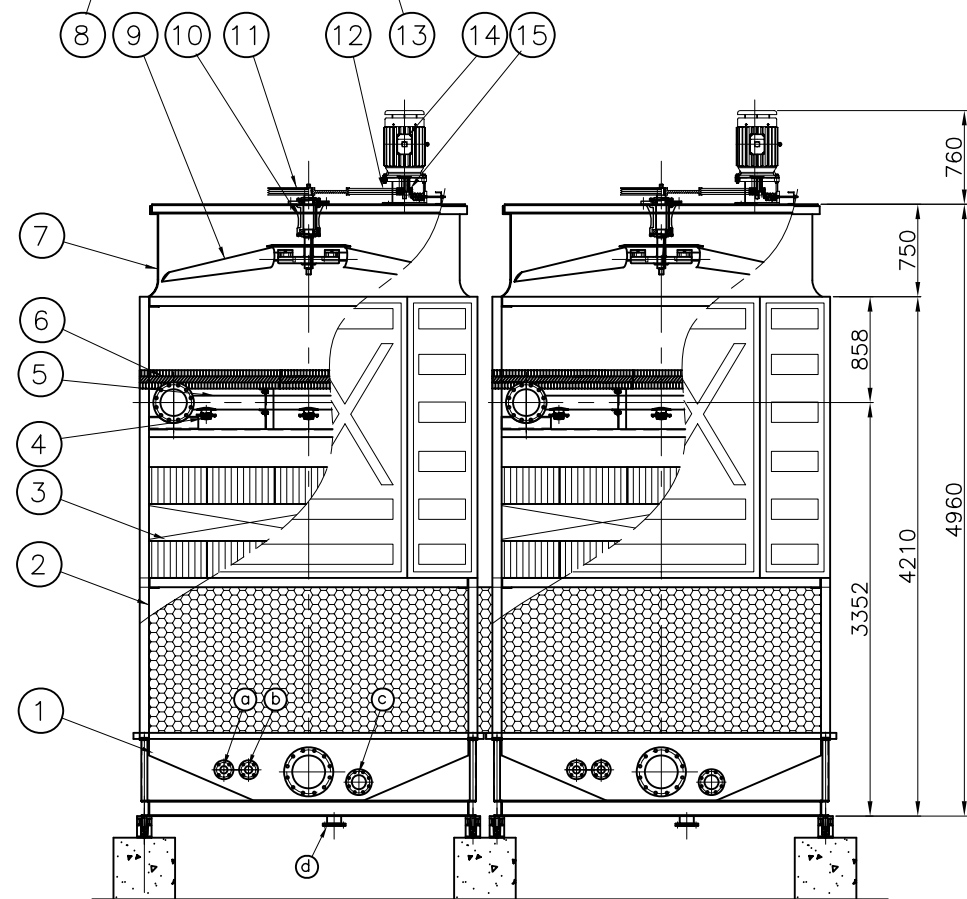
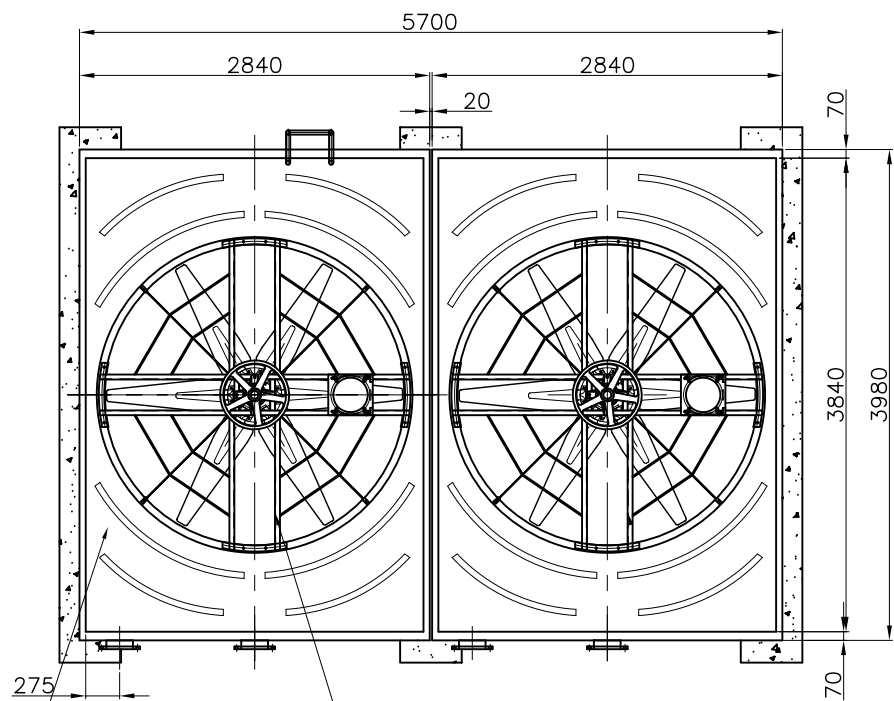
NO.	DESCRIPTIONS	MAT'L	IDENTIFICATION	Q'TY	REMARKS
1	COLD WATER BASIN	FRP	-	1 EA	
2	FRAMEWORK	SS400	75x75	1 EA	HDG
3	FILL	PVC	-	1 LOT	
4	WATER SPRAY NOZZLE	ABS	DK-D	15 EA	
5	LATERAL PIPE	PVC	100A	1 LOT	
6	DRIFT ELIMINATOR	PVC	-	1 LOT	
7	FAN CYLINDER	FRP	φ2430 ± ₀ ⁺¹⁰	1 EA	
8	FAN DECK	FRP	-	1 EA	
9	FAN ASSEMBLY	AL-ALLOY	φ2400	1 SET	
10	SPEED REDUCER	FC200	15HP	1 SET	
11	FAN DRIVE SHAFT PULLEY	FC200	5V2203	1 EA	
12	V-BELT	RUBBER	5V1060	2 EA	
13	MECH. EQUIPMENT BASE	SS400	-	1 EA	HDG
14	ELECTRIC MOTOR	TEFC	15HPx4P	1 EA	
15	MOTOR SHAFT PULLEY	FC200	5V503	1 EA	
16	CASING	FRP	-	1 LOT	
17	INLET PIPE	PVC	200A	1 EA	
18	AIR INLET SCREEN	PVC	-	1 LOT	
19	ANTI VORTEX BOX	FRP	-	1 EA	HDG
20	OUTLET PIPE	SPP	200A	1 EA	
21	FOUNDATION	RF CON'C	-	1 LOT	BY OWNER
22	LADDER	SPP	25A	1 EA	HDG

- 상기 수량은 1 CELL에 대한 것임.
- 본 기기와 연결되는 전선자재, 배관자재 및 공사는 공급범위에서 제외됨.
- 기초 공사 제외.

DESIGN CONDITIONS		NOZZLE SPECIFICATIONS						
WATER FLOW RATE	273 M ³ /HR	SYMBOL	DESCRIPTIONS	MAT'L	SIZE	Q'TY	REMARK	
NO. OF CELLS	1 CELL	a	MANUAL MAKE-UP	SPP	50 A	1 EA	FLANGE	
TEMP.	INLET	37 °C	b	AUTO. MAKE-UP	SPP	50 A	1 EA	FLANGE
	OUTLET	32 °C	c	OVERFLOW	SPP	100 A	1 EA	FLANGE
	WET BULB	27 °C	d	DRAIN	SPP	80 A	1 EA	FLANGE

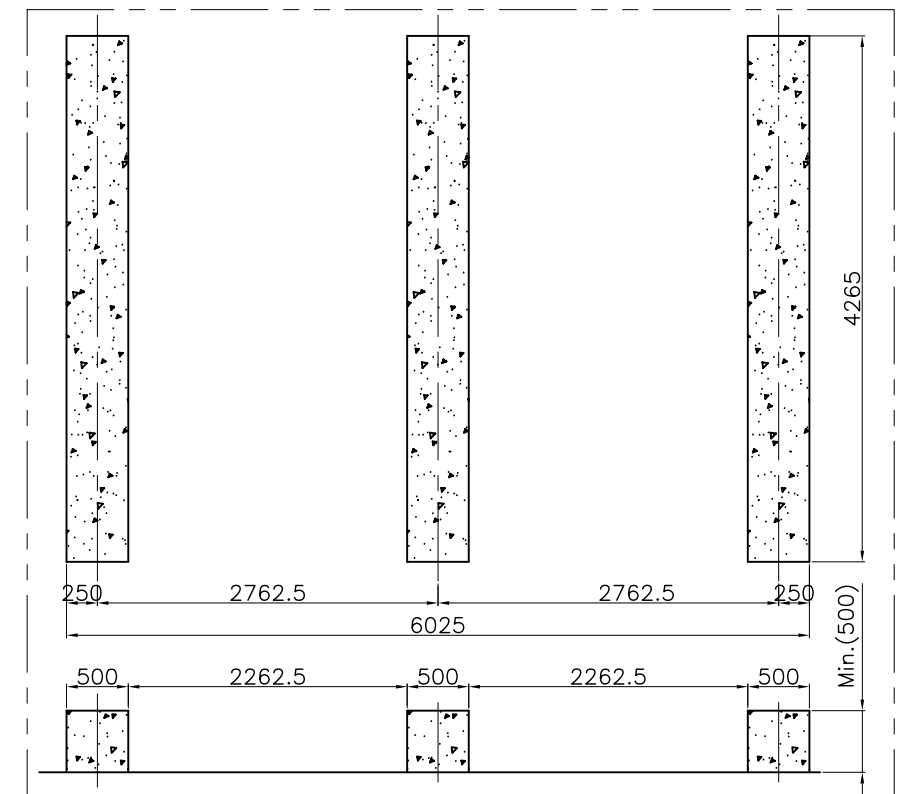
NO.	DESCRIPTIONS	MAT'L	SIZE	Q'TY	REMARKS
		TITLE ASSEMBLY & FOUNDATION (350 CT)		PROJECTION 	
DWG.	DSN.	CHK.	APPR.	SCALE	1 / 55
S.C.I.	S.S.H.	J.J.M.	R.H.H.	UNIT	mm
				DATE	
				P.J.T NAME	
				REF. NO.	
				DWG. NO.	DI-LCP-350-01

NO.	DATE	REVISIONS	REVIEWED	CHECKED	APPROVED



NO.	DESCRIPTIONS	MAT'L	IDENTIFICATION	Q'TY	REMARKS
1	COLD WATER BASIN	FRP	-	1 EA	
2	FRAMEWORK	SS400	75x75	1 EA	HDG
3	FILL	PVC	-	1 LOT	
4	WATER SPRAY NOZZLE	ABS	DK-C	15 EA	
5	LATERAL PIPE	PVC	100A	1 LOT	
6	DRIFT ELIMINATOR	PVC	-	1 LOT	
7	FAN CYLINDER	FRP	φ2430 ± ₀ ⁺¹⁰	1 EA	
8	FAN DECK	FRP	-	1 EA	
9	FAN ASSEMBLY	AL-ALLOY	φ2400	1 SET	
10	SPEED REDUCER	FC200	15HP	1 SET	
11	FAN DRIVE SHAFT PULLEY	FC200	5V2203	1 EA	
12	V-BELT	RUBBER	5V1060	2 EA	
13	MECH. EQUIPMENT BASE	SS400	-	1 EA	HDG
14	ELECTRIC MOTOR	TEFC	15HPx4P	1 EA	
15	MOTOR SHAFT PULLEY	FC200	5V503	1 EA	
16	CASING	FRP	-	1 LOT	
17	INLET PIPE	PVC	200A	1 EA	
18	AIR INLET SCREEN	PVC	-	1 LOT	
19	ANTI VORTEX BOX	FRP	-	1 EA	
20	OUTLET PIPE	SPP	200A	1 EA	HDG
21	FOUNDATION	RF CON'C	-	1 LOT	BY OWNER
22	LADDER	SPP	25A	1 EA	HDG

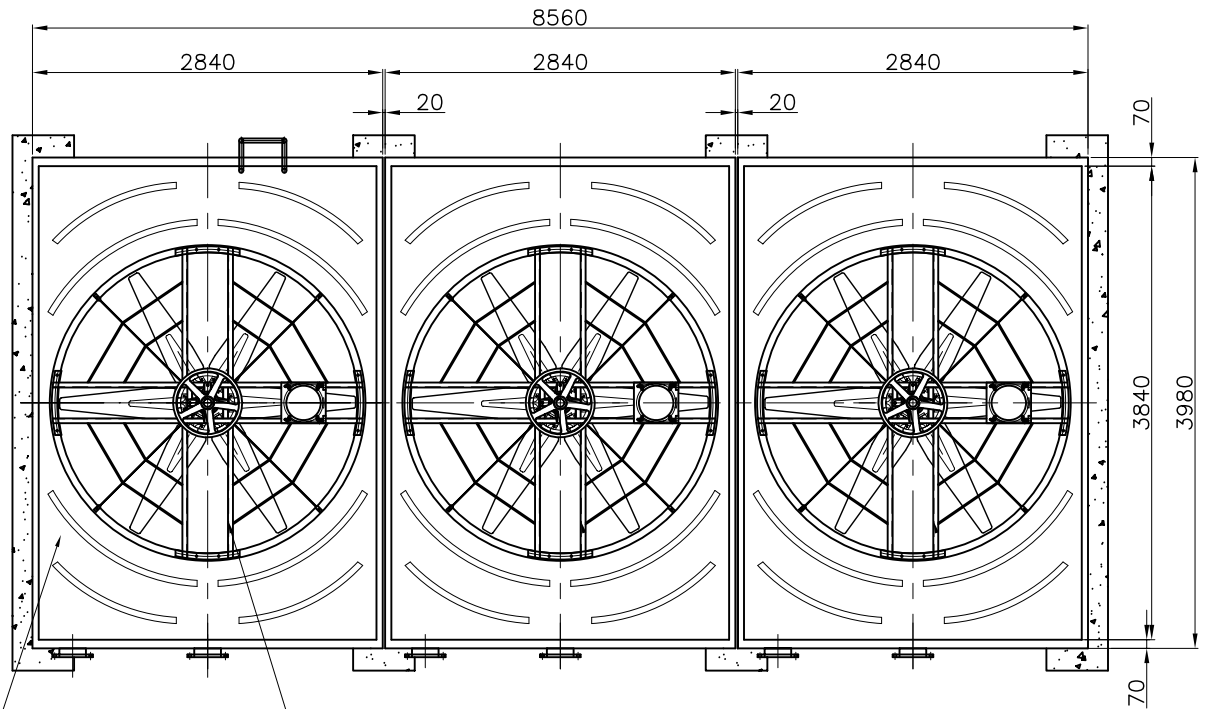
- 상기 수량은 1 CELL에 대한 것임.
- 본 기기와 연결되는 전선자재, 배관자재 및 공사는 공급범위에서 제외됨.
- 기초 공사 제외.



NO.	DATE	REVISIONS	REVIEWED	CHECKED	APPROVED

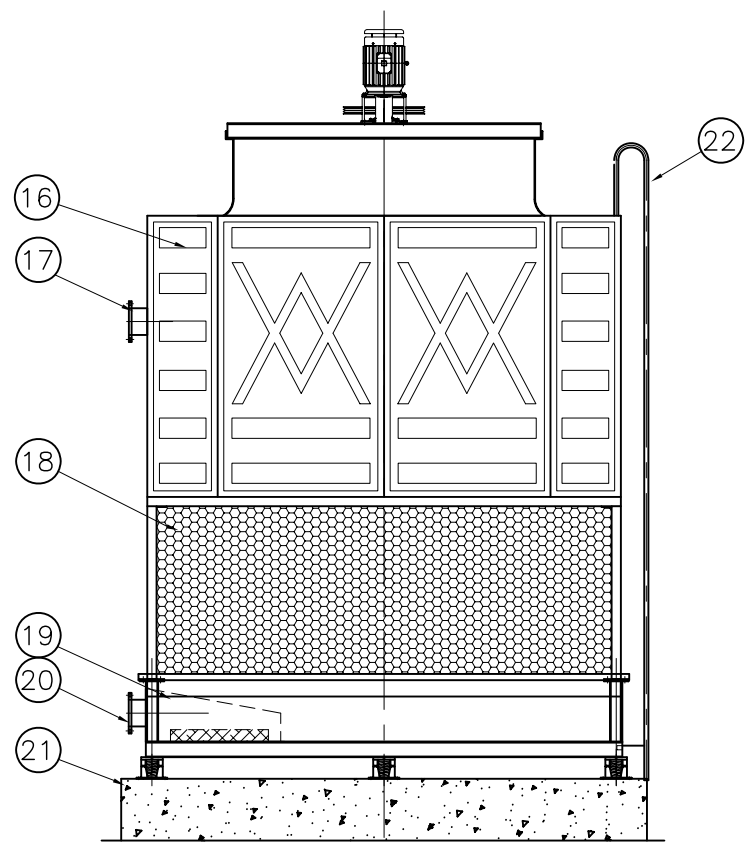
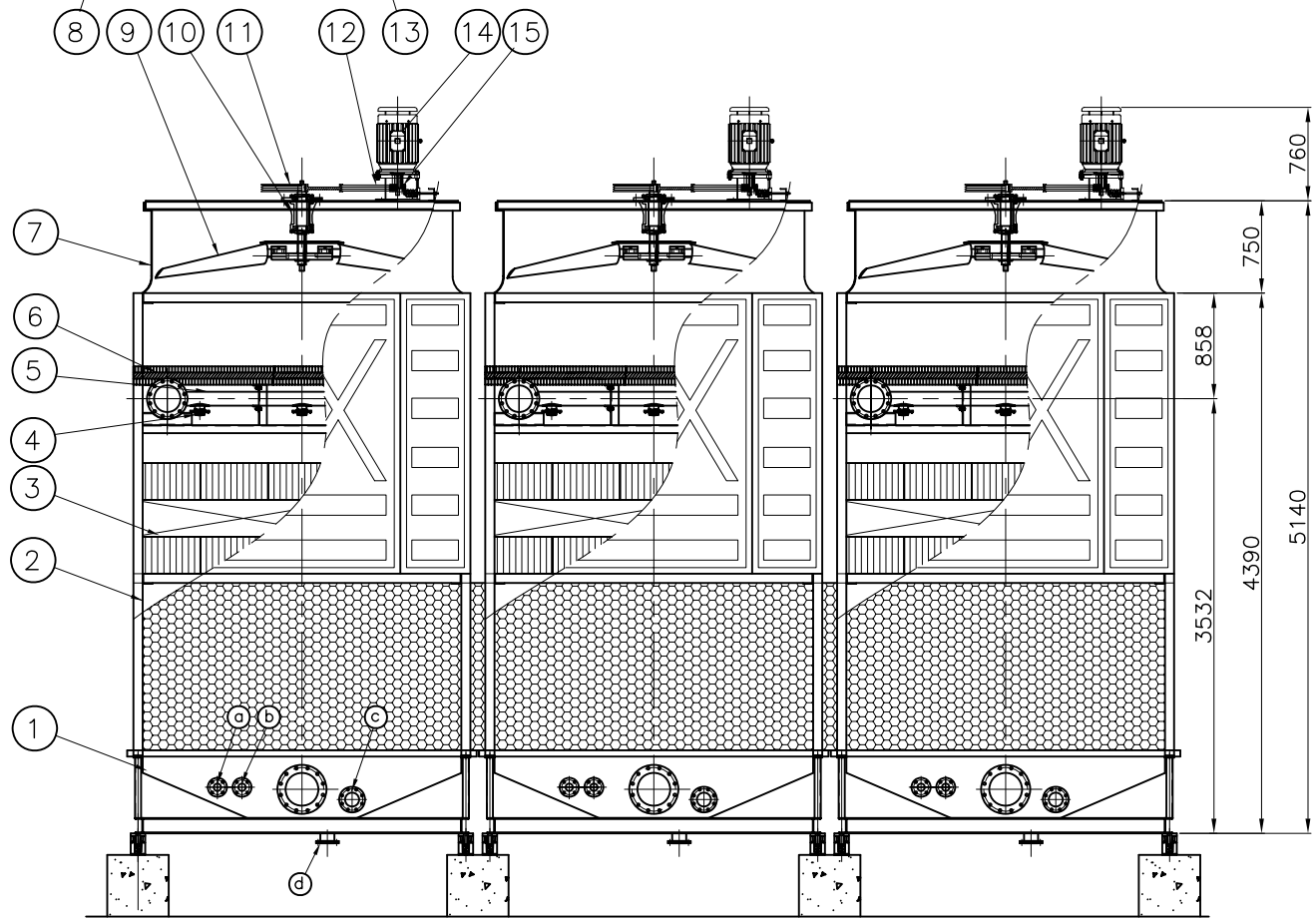
DESIGN CONDITIONS		NOZZLE SPECIFICATIONS						
WATER FLOW RATE	546 M ³ /HR	SYMBOL	DESCRIPTIONS	MAT'L	SIZE	Q'TY	REMARK	
NO. OF CELLS	2 CELL	a	MANUAL MAKE-UP	SPP	50 A	2 EA	FLANGE	
TEMP.	INLET	37 °C	b	AUTO. MAKE-UP	SPP	50 A	2 EA	FLANGE
	OUTLET	32 °C	c	OVERFLOW	SPP	100 A	2 EA	FLANGE
	WET BULB	27 °C	d	DRAIN	SPP	80 A	2 EA	FLANGE

NO.	DESCRIPTIONS	MAT'L	SIZE	Q'TY	REMARKS
		TITLE ASSEMBLY & FOUNDATION (350 CT x 2 CELLS)			
DWG.	DSN.	CHK.	APPR.	SCALE	1 / 60
S.C.I.	S.S.H.	J.J.M.	R.H.H.	UNIT	mm
P.J.T NAME		REF. NO.		PROJECTION	
DWG. NO.		DI-LCP-350-2-01			



NO.	DESCRIPTIONS	MAT'L	IDENTIFICATION	Q'TY	REMARKS
1	COLD WATER BASIN	FRP	-	1 EA	
2	FRAMEWORK	SS400	75x75	1 EA	HDG
3	FILL	PVC	-	1 LOT	
4	WATER SPRAY NOZZLE	ABS	DK-C	15 EA	
5	LATERAL PIPE	PVC	100A	1 LOT	
6	DRIFT ELIMINATOR	PVC	-	1 LOT	
7	FAN CYLINDER	FRP	φ2430 ± ₀ ¹⁰	1 EA	
8	FAN DECK	FRP	-	1 EA	
9	FAN ASSEMBLY	AL-ALLOY	φ2400	1 SET	
10	SPEED REDUCER	FC200	15HP	1 SET	
11	FAN DRIVE SHAFT PULLEY	FC200	5V2203	1 EA	
12	V-BELT	RUBBER	5V1060	2 EA	
13	MECH. EQUIPMENT BASE	SS400	-	1 EA	HDG
14	ELECTRIC MOTOR	TEFC	15HPx4P	1 EA	
15	MOTOR SHAFT PULLEY	FC200	5V503	1 EA	
16	CASING	FRP	-	1 LOT	
17	INLET PIPE	PVC	200A	1 EA	
18	AIR INLET SCREEN	PVC	-	1 LOT	
19	ANTI VORTEX BOX	FRP	-	1 EA	
20	OUTLET PIPE	SPP	200A	1 EA	HDG
21	FOUNDATION	RF CON'C	-	1 LOT	BY OWNER
22	LADDER	SPP	25A	1 EA	HDG

- 상기 수량은 1 CELL에 대한 것임.
- 본 기기와 연결되는 전선자재, 배관자재 및 공사는 공급범위에서 제외됨.
- 기초 공사 제외.

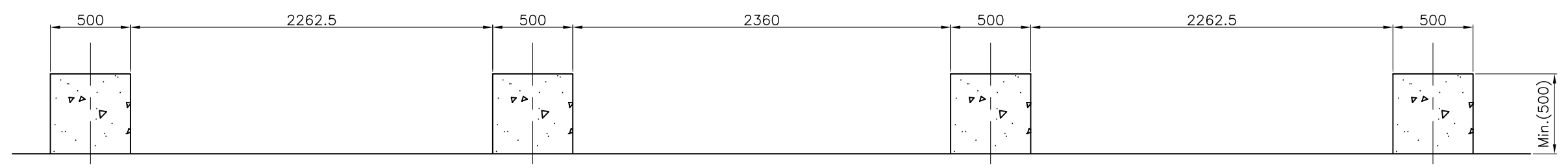
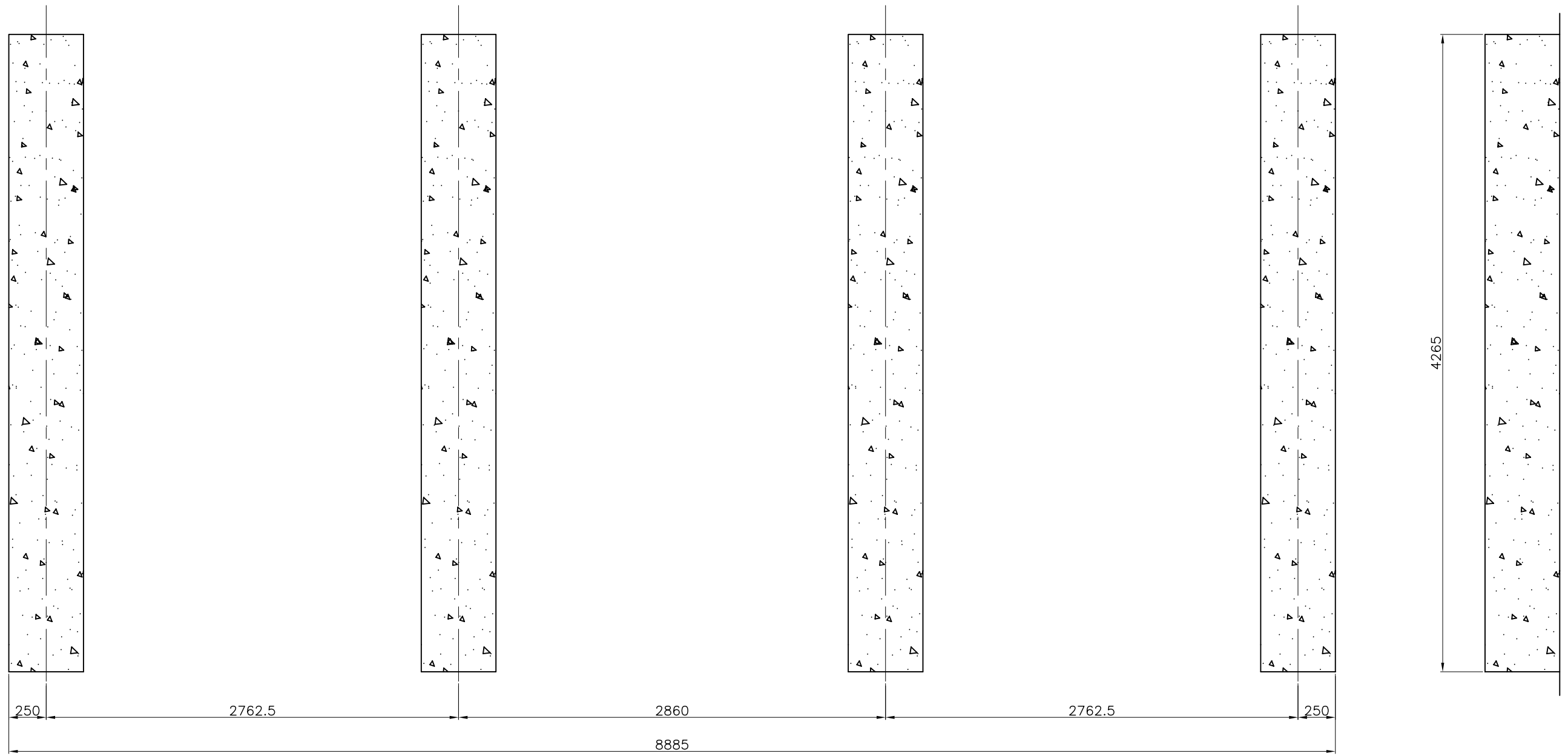


DESIGN CONDITIONS		NOZZLE SPECIFICATIONS						
WATER FLOW RATE	819 M ³ /HR	SYMBOL	DESCRIPTIONS	MAT'L	SIZE	Q'TY	REMARK	
NO. OF CELLS	3 CELL	a	MANUAL MAKE-UP	SPP	50 A	3 EA	FLANGE	
TEMP.	INLET	37 °C	b	AUTO. MAKE-UP	SPP	50 A	3 EA	FLANGE
	OUTLET	32 °C	c	OVERFLOW	SPP	100 A	3 EA	FLANGE
	WET BULB	27 °C	d	DRAIN	SPP	80 A	3 EA	FLANGE

NO.	DATE	REVISIONS	REVIEWED	CHECKED	APPROVED

NO.	DESCRIPTIONS	MAT'L	SIZE	Q'TY	REMARKS
		TITLE ASSEMBLY DRAWING (350 CT x 3 CELLS)		PROJECTION 	
DWG.	DSN.	CHK.	APPR.	SCALE 1 / 60	P.J.T NAME
S.C.I.	S.S.H.	J.J.M.	R.H.H.	UNIT mm	REF. NO.
DATE				DWG. NO.	DI-LCP-350-3-01

NO.	DESCRIPTIONS	MAT'L	SIZE	Q'TY	REMARKS
-----	--------------	-------	------	------	---------



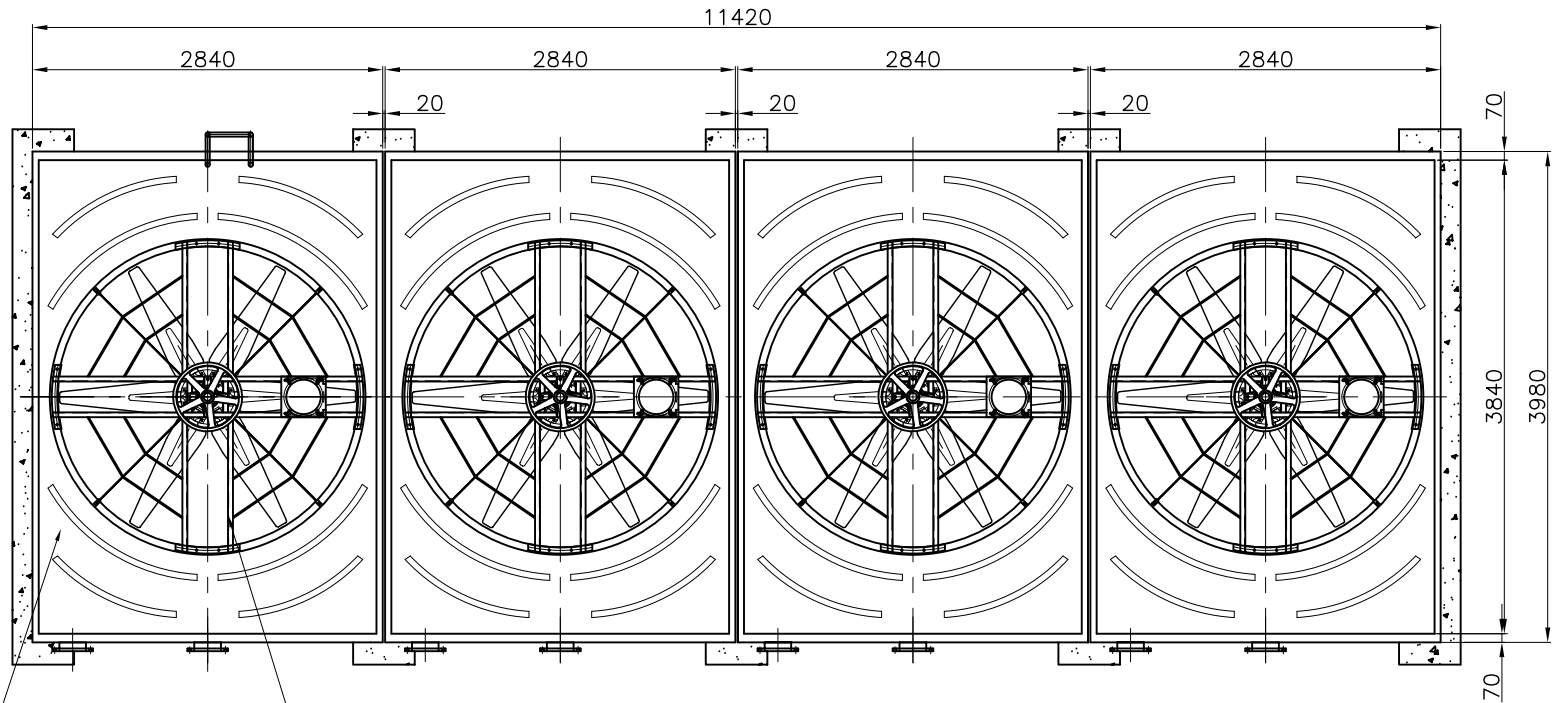
NO.	DATE	REVISIONS	REVIEWED	CHECKED	APPROVED
2					
1					

DWG.	DSN.	CHK.	APPR.	SCALE	1 / 30	P.J.T NAME	REV.NO.
S.C.I.	S.S.H.	J.J.M.	R.H.H.	UNIT	mm	REF. NO.	
				DATE		DWG. NO.	DI-LCP-350-3-02

DAEIL AQUA CO., LTD.
 COOLING TOWER (주) 대 일 아 쿠 아

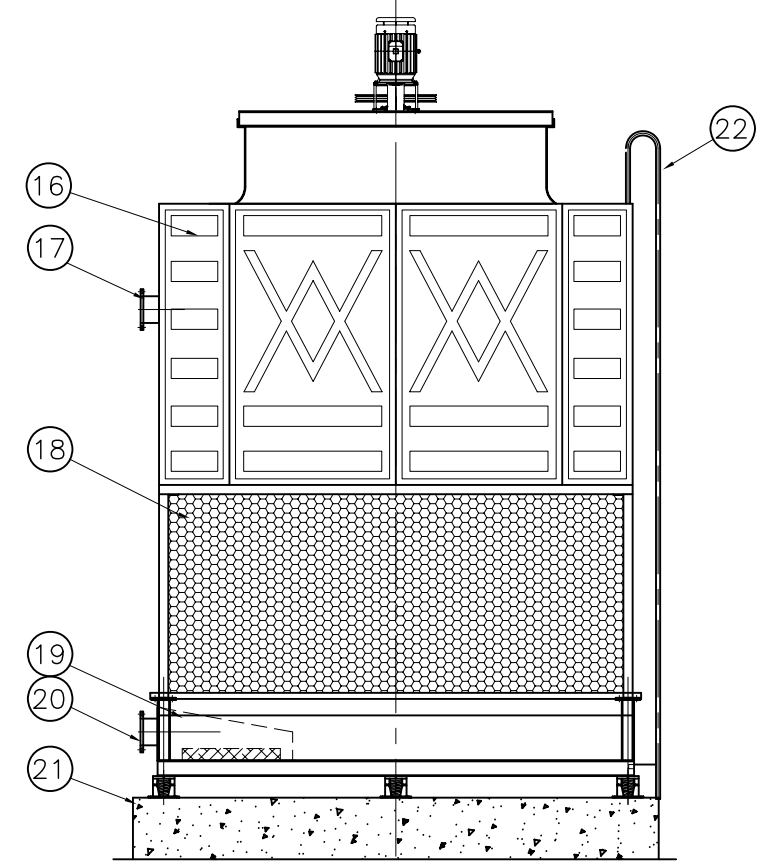
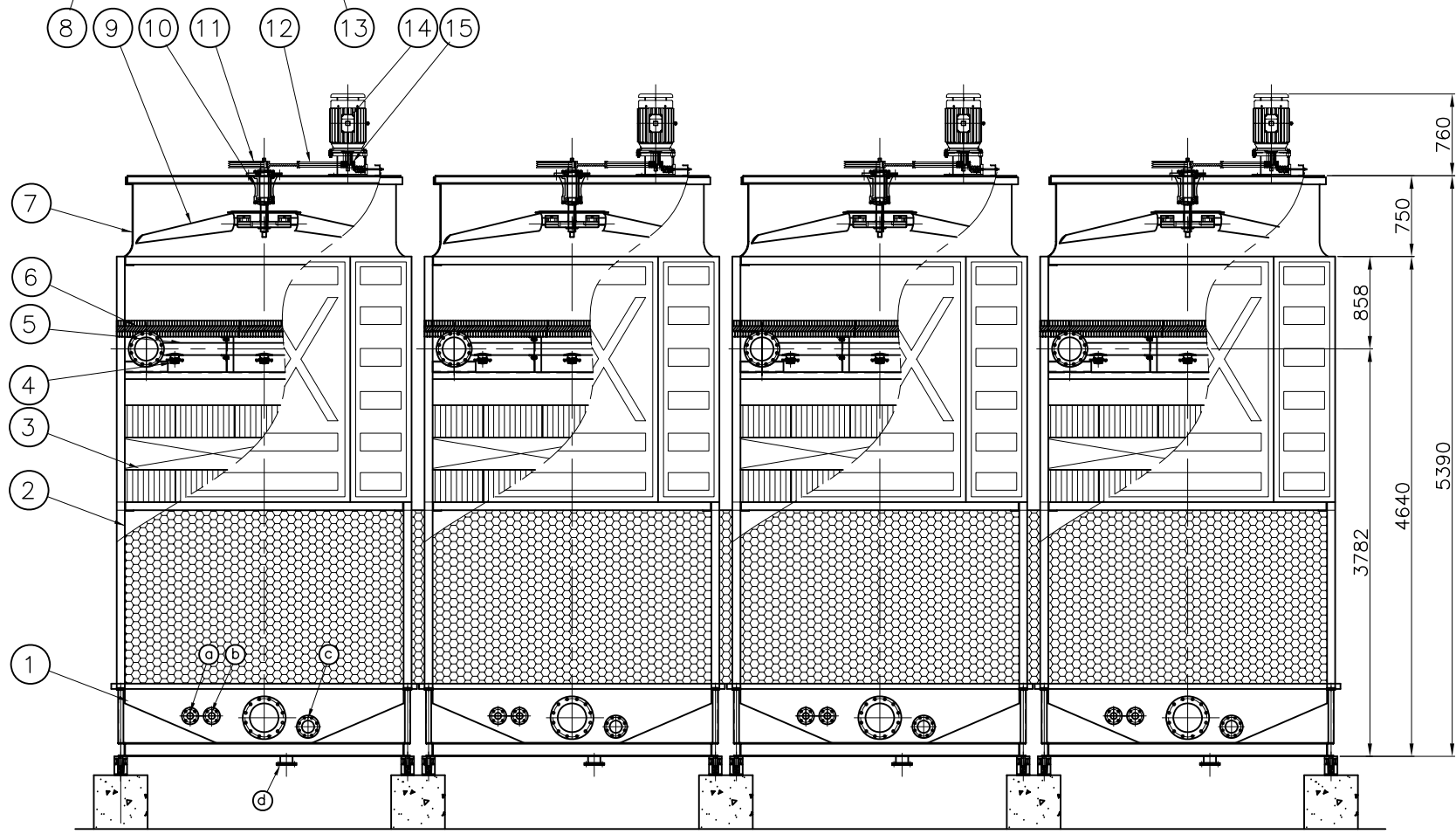
TITLE FOUNDATION
 (350 CT x 3 CELLS)

PROJECTION



NO.	DESCRIPTIONS	MAT'L	IDENTIFICATION	Q'TY	REMARKS
1	COLD WATER BASIN	FRP	-	1 EA	
2	FRAMEWORK	SS400	75x75	1 EA	HDG
3	FILL	PVC	-	1 LOT	
4	WATER SPRAY NOZZLE	ABS	DK-C	15 EA	
5	LATERAL PIPE	PVC	100A	1 LOT	
6	DRIFT ELIMINATOR	PVC	-	1 LOT	
7	FAN CYLINDER	FRP	φ2430 ± ₀ ¹⁰	1 EA	
8	FAN DECK	FRP	-	1 EA	
9	FAN ASSEMBLY	AL-ALLOY	φ2400	1 SET	
10	SPEED REDUCER	FC200	15HP	1 SET	
11	FAN DRIVE SHAFT PULLEY	FC200	5V2203	1 EA	
12	V-BELT	RUBBER	5V1060	2 EA	
13	MECH. EQUIPMENT BASE	SS400	-	1 EA	HDG
14	ELECTRIC MOTOR	TEFC	15HPx4P	1 EA	
15	MOTOR SHAFT PULLEY	FC200	5V503	1 EA	
16	CASING	FRP	-	1 LOT	
17	INLET PIPE	PVC	200A	1 EA	
18	AIR INLET SCREEN	PVC	-	1 LOT	
19	ANTI VORTEX BOX	FRP	-	1 EA	
20	OUTLET PIPE	SPP	200A	1 EA	HDG
21	FOUNDATION	RF CON'C	-	1 LOT	BY OWNER
22	LADDER	SPP	25A	1 EA	HDG

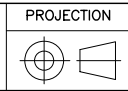
- 상기 수량은 1 CELL에 대한 것임.
- 본 기기와 연결되는 전선자재, 배관자재 및 공사는 공급범위에서 제외됨.
- 기초 공사 제외.



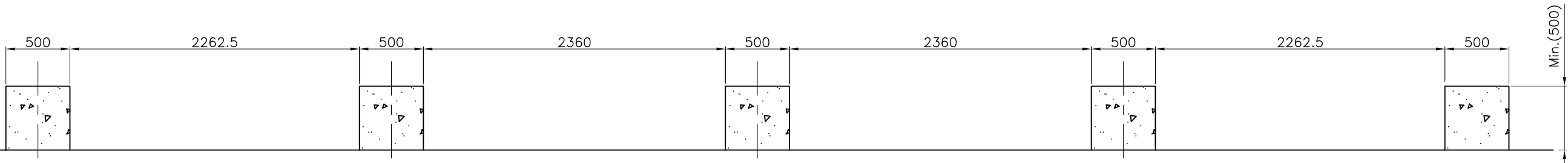
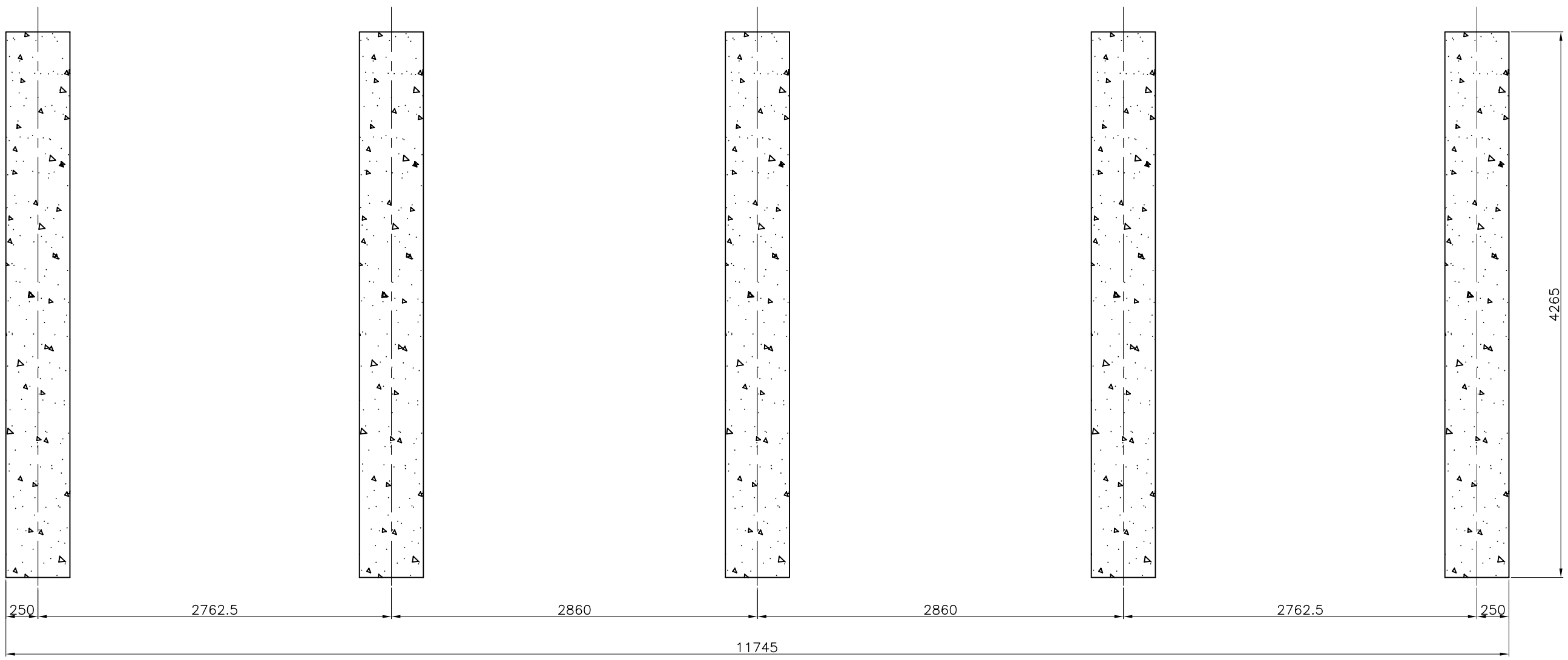
NO.	DATE	REVISIONS	REVIEWED	CHECKED	APPROVED

DESIGN CONDITIONS		NOZZLE SPECIFICATIONS						
WATER FLOW RATE	1092 M ³ /HR	SYMBOL	DESCRIPTIONS	MAT'L	SIZE	Q'TY	REMARK	
NO. OF CELLS	4 CELL	a	MANUAL MAKE-UP	SPP	50 A	4 EA	FLANGE	
TEMP.	INLET	37 °C	b	AUTO. MAKE-UP	SPP	50 A	4 EA	FLANGE
	OUTLET	32 °C	c	OVERFLOW	SPP	100 A	4 EA	FLANGE
	WET BULB	27 °C	d	DRAIN	SPP	80 A	4 EA	FLANGE

NO.	DESCRIPTIONS	MAT'L	SIZE	Q'TY	REMARKS
		TITLE ASSEMBLY DRAWING (350 CT x 4 CELLS)			
DWG.	DSN.	CHK.	APPR.	SCALE 1 / 60	P.J.T NAME
S.C.I.	S.S.H.	J.J.M.	R.H.H.	UNIT mm	REF. NO.
				DATE	DWG. NO. DI-LCP-350-4-01

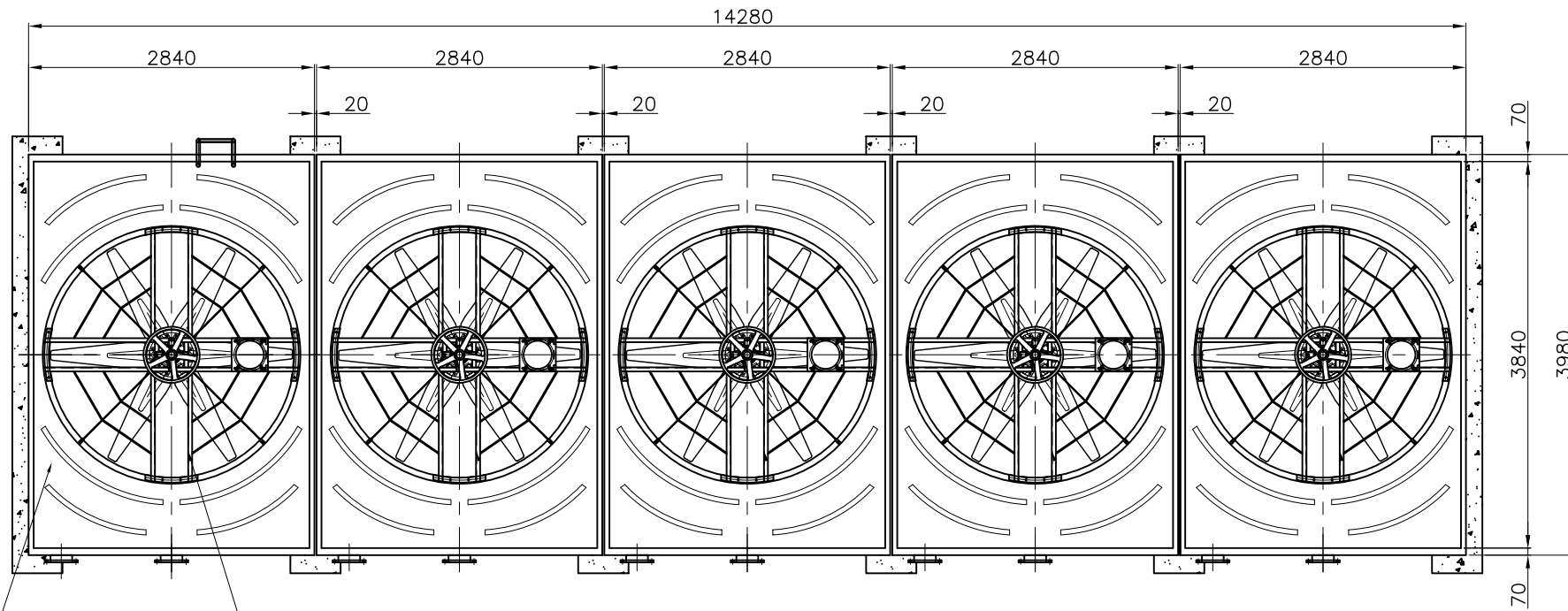


NO.	DESCRIPTIONS	MAT'L	SIZE	Q'TY	REMARKS
-----	--------------	-------	------	------	---------



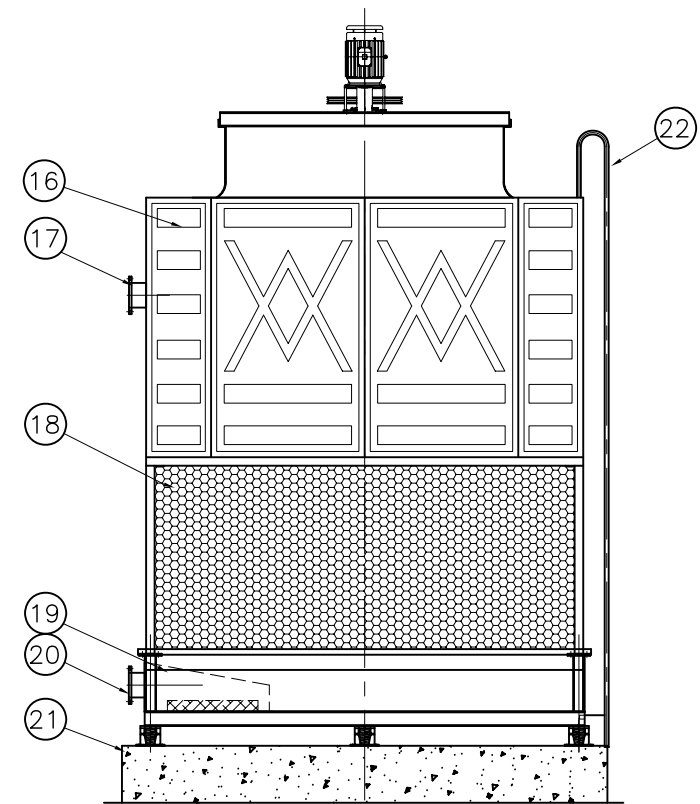
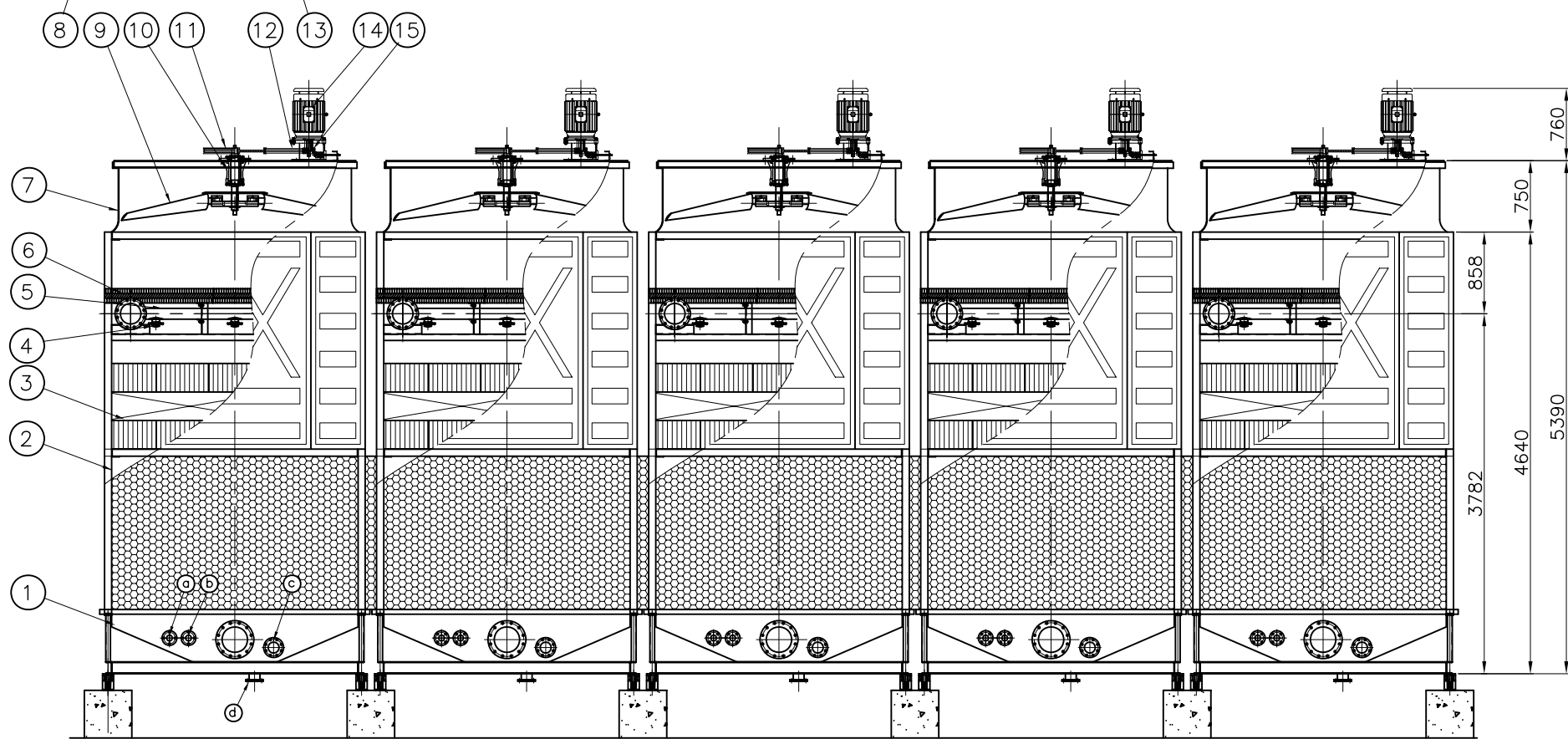
NO.	DATE	REVISIONS	REVIEWED	CHECKED	APPROVED

NO.	DESCRIPTIONS	MAT'L	SIZE	Q'TY	REMARKS
		TITLE FOUNDATION (350 CT x 4 CELLS)			
DWG.	DSN.	CHK.	APPR.	SCALE 1 / 35	P.J.T NAME
S.C.I.	S.S.H.	J.J.M.	R.H.H.	UNIT mm	REF. NO.
				DATE	DWG. NO. DI-LCP-350-4-02



NO.	DESCRIPTIONS	MAT'L	IDENTIFICATION	Q'TY	REMARKS
1	COLD WATER BASIN	FRP	-	1 EA	
2	FRAMEWORK	SS400	75x75	1 EA	HDG
3	FILL	PVC	-	1 LOT	
4	WATER SPRAY NOZZLE	ABS	DK-C	15 EA	
5	LATERAL PIPE	PVC	100A	1 LOT	
6	DRIFT ELIMINATOR	PVC	-	1 LOT	
7	FAN CYLINDER	FRP	φ2430 ± ₀ ⁺¹⁰	1 EA	
8	FAN DECK	FRP	-	1 EA	
9	FAN ASSEMBLY	AL-ALLOY	φ2400	1 SET	
10	SPEED REDUCER	FC200	15HP	1 SET	
11	FAN DRIVE SHAFT PULLEY	FC200	5V2203	1 EA	
12	V-BELT	RUBBER	5V1060	2 EA	
13	MECH. EQUIPMENT BASE	SS400	-	1 EA	HDG
14	ELECTRIC MOTOR	TEFC	15HPx4P	1 EA	
15	MOTOR SHAFT PULLEY	FC200	5V503	1 EA	
16	CASING	FRP	-	1 LOT	
17	INLET PIPE	PVC	200A	1 EA	
18	AIR INLET SCREEN	PVC	-	1 LOT	
19	ANTI VORTEX BOX	FRP	-	1 EA	
20	OUTLET PIPE	SPP	200A	1 EA	HDG
21	FOUNDATION	RF CON'C	-	1 LOT	BY OWNER
22	LADDER	SPP	25A	1 EA	HDG

- 상기 수량은 1 CELL에 대한 것임.
- 본 기계와 연결되는 전선자재, 배관자재 및 공사는 공급범위에서 제외됨.
- 기초 공사 제외.

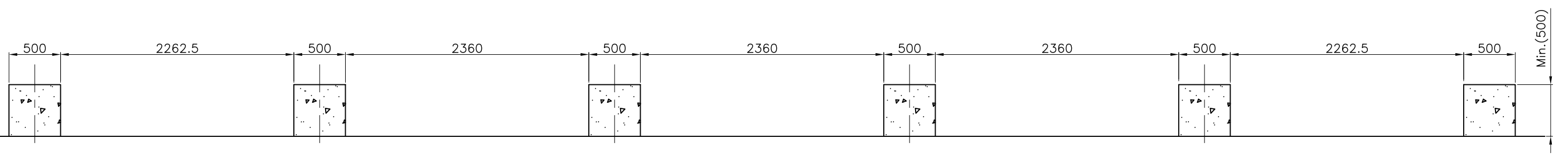
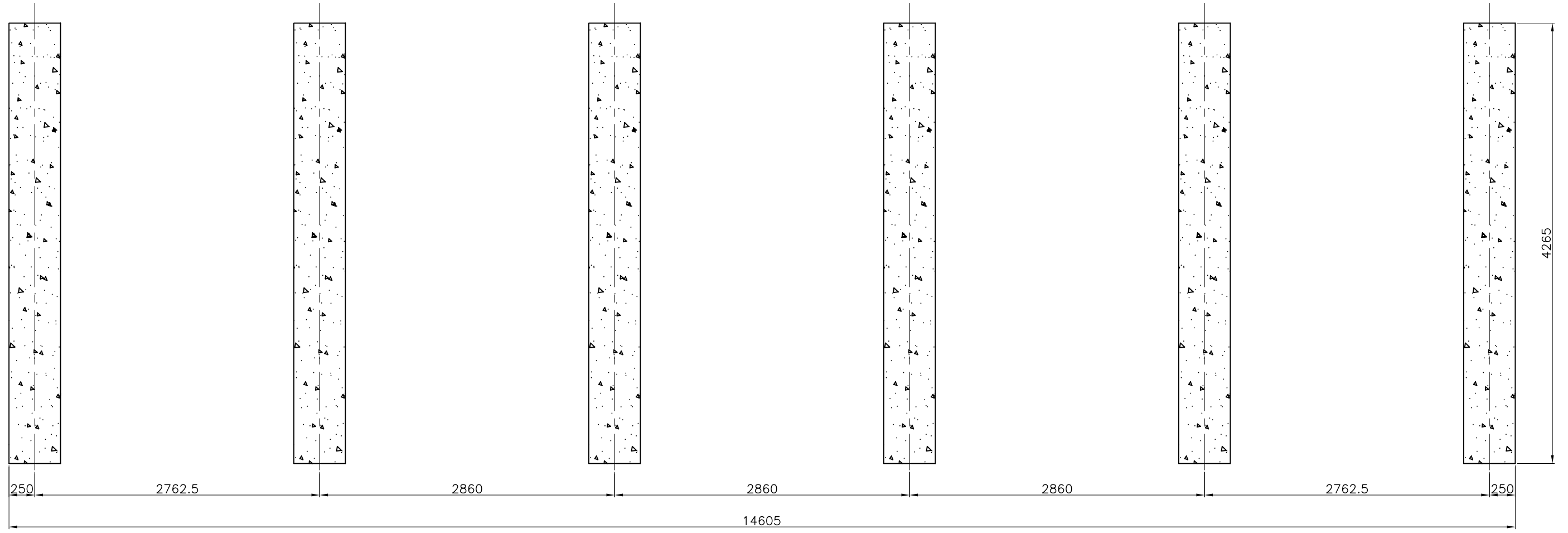


DESIGN CONDITIONS		NOZZLE SPECIFICATIONS						
WATER FLOW RATE	1365 M ³ /HR	SYMBOL	DESCRIPTIONS	MAT'L	SIZE	Q'TY	REMARK	
NO. OF CELLS	5 CELL	a	MANUAL MAKE-UP	SPP	50 A	5 EA	FLANGE	
TEMP.	INLET	37 °C	b	AUTO. MAKE-UP	SPP	50 A	5 EA	FLANGE
	OUTLET	32 °C	c	OVERFLOW	SPP	100 A	5 EA	FLANGE
	WET BULB	27 °C	d	DRAIN	SPP	80 A	5 EA	FLANGE

NO.	DESCRIPTIONS	MAT'L	SIZE	Q'TY	REMARKS
		TITLE ASSEMBLY DRAWING		PROJECTION	
		(350 CT x 5 CELLS)			
DWG.	DSN.	CHK.	APPR.	SCALE 1 / 65	P.J.T NAME
S.C.I.	S.S.H.	J.J.M.	R.H.H.	UNIT mm	REF. NO.
				DATE	DWG. NO. DI-LCP-350-5-01

NO.	DATE	REVISIONS	REVIEWED	CHECKED	APPROVED

NO.	DESCRIPTIONS	MAT'L	SIZE	Q'TY	REMARKS
-----	--------------	-------	------	------	---------



NO.	DATE	REVISIONS	REVIEWED	CHECKED	APPROVED

NO.	DESCRIPTIONS	MAT'L	SIZE	Q'TY	REMARKS
		TITLE FOUNDATION (350 CT. x 5 CELLS)		PROJECTION	
DWG.	DSN.	CHK.	APPR.	SCALE 1 / 40	P.J.T NAME
S.C.I.	S.S.H.	J.J.M.	R.H.H.	UNIT mm	REF. NO.
				DATE	DWG. NO. DI-LCP-350-5-02
					REV.NO.